

# VACUUM AND HYDROVAC

Hose, Fittings and Accessories



AVAILABLE THROUGH

**MOTION**  
FLUID SOLUTIONS

# Vacuum and Hydrovac Products

---

Motion Fluid Solutions offer a wide range of fluid handling products to customers throughout New Zealand and the South Pacific. We have branches conveniently located throughout New Zealand along with distributors situated in most cities and major towns.

Our products include Rubber, PVC, Stainless Steel and Composite Hose and Couplings to all industries.

## Table of Contents

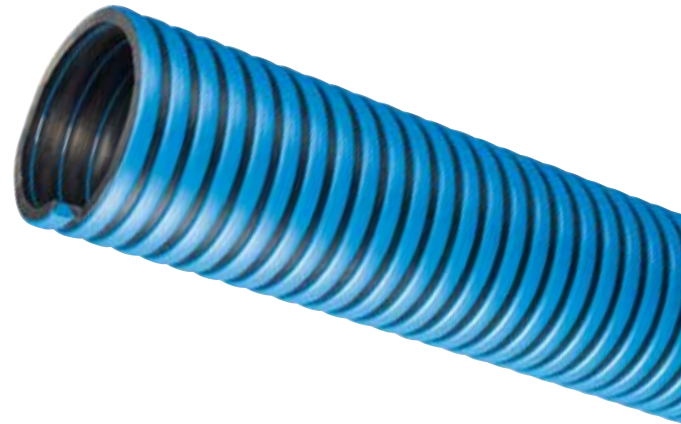
Tiger Blue Hose	2
Tiger TR1 Hose	3
Pippurn Hydrovac Material Handling Hose	4
Conti V214 Suction & Delivery Hose	5
Custom Made Hoses	6
TOUGHJacket Ultra High Pressure Hose	7
Sewer Jet Hose	8
Marte PVC Oil & Chemical Resistant Hose	9
Tigertail Sanitation Hose	10
Tiger Amphibian Hose	11
Tiger Bark Hose	12
Camlocks & Couplings	13 - 14
Clamps & Banding	15 - 16
Valves	17
Gauges	18

# Tiger™ Blue Hose

## EPDM Flexible Truck Suction Hose

### General Applications

- Water suction – standard duty construction: EPDM tube with polyethylene helix
- Service temperature range: -40°C to +71°C\*
- Septic and wastewater handling
- Pumps, rental and construction dewatering
- Trash pumps
- Agricultural liquid fertilisers
- Irrigation lines
- Liquid manure handling



### Features & Benefits



- Superior Rubber Compounds – Tigerflex™ uses only the best available EPDM compounds, which provide the ideal combination of lightweight, flexibility, durability and chemical resistance
- Superior Flexibility – Tiger™ Blue Hose is more flexible coming off the truck and easier to handle than other similar hoses. Our tests show up to 22% more flexibility than the competition, especially in sub-zero weather!
- Easy Slide Helix – Rigid helix design protects hose tube from cover wear, and allows hose to slide easily over rough surfaces and around corners
- Easy to handle
- Convolved Outer Cover – Provides increased hose flexibility
- “Cold-Flex” Materials – Hose remains flexible in sub-zero temperatures

Part Number	ID		OD		Working Pressure (psi)		Vacuum Rating (mh <sub>2</sub> O)		Min Bend Radius at 20°C (mm)	Standard Length (m)	Weight (kg/m)
	(in)	(mm)	(in)	(mm)	20°C	40°C	20°C	40°C			
28-38051	2	51	2.51	63.8	50	35	10	9.6	127	30	1.0
28-38076	3	76	3.60	91.5	45	30	10	8.9	178	30	1.70
28-38102	4	102	4.70	119.5	40	25	10	8.9	292	30	2.74
28-38152	6	152	6.85	174.0	30	20	9.6	8.2	508	30	4.57

**NOTE:** Service life may vary depending on operating conditions and type of material being conveyed.

\*Actual service temperature range is application dependent.

# Tiger™ TR1™ Hose

## Abrasion Resistant (AR) Suction Hose

### General Applications

- Slurry handling construction: SBR rubber tube with rigid PVC helix
- Service temperature range: -40°C to +65°C\*
- Sewer truck boom hose
- Hydro excavation
- Industrial vacuum equipment
- Material handling – heavy-duty abrasive
- Rock, gravel, sand and crushed concrete vacuuming
- Shot blast recovery
- Fly ash collection
- Grain handling



### Features & Benefits

- Superior Rubber Compounds – Tiger-flex™ uses specially engineered compounds which provide the ideal combination of excellent abrasion resistance, lightweight, flexibility, static dissipation and superior long-lasting durability
- Static Dissipative Tube – Specially formulated to help prevent the build-up of static electricity for added safety and to help keep material flowing smoothly
- “Cold-Flex” Materials – Hose remains flexible in sub-zero temperatures
- Convoluted Outer Cover – Provides increased hose flexibility

Part Number	ID		OD		Working Pressure (psi)		Vacuum Rating (mh <sub>2</sub> O)		Min Bend Radius at 20°C (mm)	Standard Length (m)	Weight (kg/m)
	(in)	(mm)	(in)	(mm)	20°C	40°C	20°C	40°C			
05-92038TR1	1-1/2	38	1.94	49.2	35	26	10	9.6	38	30	0.74
05-92051TR1	2	51	2.38	60.5	32	23	10	8.9	38	30	1.04
05-92064TR1	2-1/2	64	3.05	77.5	30	22	10	8.9	50	30	1.25
05-92076TR1	3	76	3.56	90.5	28	20	10	8.9	63	30	1.49
05-92102TR1	4	102	4.67	118.5	26	18	10	8.9	114	30	2.53
05-92127TR1	5	127	5.73	145.5	21	16	9.6	8.2	127	30	3.54
05-92152TR1	6	152	7.03	178.8	19	13	9.6	8.2	241	30	6.32
05-92203TR1	8	203	9.27	255.6	19	13	9.3	7.9	355	15	10.69

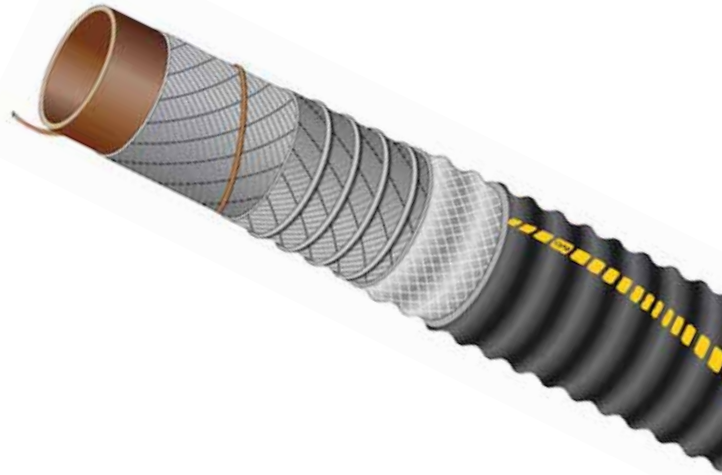
**NOTE:** Service life may vary depending on operating conditions and type of material being conveyed.  
\*Actual service temperature range is application dependent.

# Pippurn Hydrovac Material Handling Hose

Super Abrasion Resistant (SAR) Suction Hose

## General Applications

- Hardwall corrugated hose, specially designed for suction of abrasive materials, sand, gravel and cement
- Used for clean-up systems and for fast abrasive material removal and storage after blast cleaning operations
- Service temperature range: -30°C to +70°C



## Construction

- Tube: brown, smooth, natural rubber
- Reinforcement: high strength synthetic cord, steel helix wire and anti-static copper wire
- Cover: black, corrugated (wrapped finish), NR/SBR rubber, abrasion and weathering resistant
- Branding: continuous yellow stripe "IVG Truck Logo"

Part Number	ID		Working Pressure		Min Bend Radius (mm)	Standard Length (m)	Weight (kg/m)
	(in)	(mm)	(psi)	(bar)			
05-66102	4	102	45	3	385	60	3.51
05-66127	5	127	45	3	520	60	4.99
05-66152	6	152	45	3	670	60	7.06
05-66203	8	203	30	2	1000	60	9.48

# Conti V214 S&D

## Water Suction and Discharge Hose

### General Applications

- General purpose suction and discharge hose for use in medium to heavy-duty operations
- Service temperature range: -20°C to +70°C

### Construction

- Tube: NR/SBR Blended
- Reinforcement: Synthetic fabric plies (x2) with wire helix
- Cover: Black SBR/EPDM Blended; wrapped finish
- Branding Example: V214 Water Suction and Delivery
- WP150psi



Part Number	ID		OD		Working Pressure		Standard Length (m)	Weight (kg/m)
	(in)	(mm)	(in)	(mm)	(psi)	(bar)		
05-22051	2	51	2.48	63	150	10.3	30	2.08
05-22064	2 1/2	64	3.03	77	150	10.3	30	2.66
05-22076	3	76	3.50	89	150	10.3	30	3.19
05-22102	4	102	4.65	118	150	10.3	30	5.23
05-22127C	5	127	5.75	146	150	10.3	30	6.15
05-22152C	6	152	6.69	170	150	10.3	30	8.97
05-22203C	8	203	8.80	223	150	10.3	20	13.57

Smaller sizes available

# Custom Made Hoses



Hand Made Boom Hoses and Sweeper Side Hoses

- Rubber Boom Hoses
- PU Boom Hoses
- Sweeper Hoses



Contact us for more information

# TOUGHJacket™ Ultra High Pressure Hose

## Integrated Abrasion Resistant Hose

### Applications

- Waterjet cutting
- Surface preparation
- Hydrodemolition
- Ship / industrial cleaning

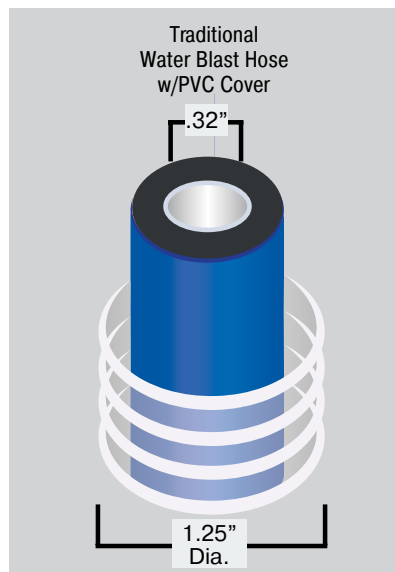
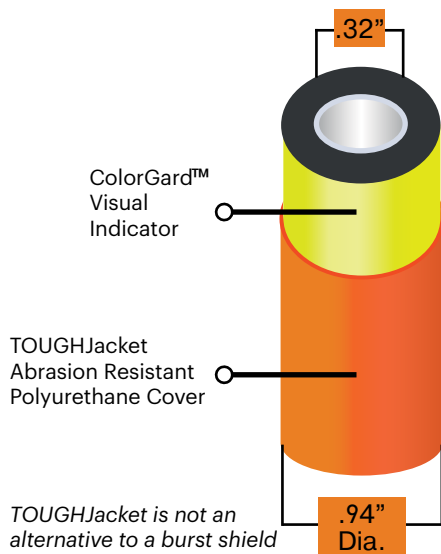


Motion Fluid Solutions offers a wide range of low, medium, high & ultra high-pressure fluid transfer solutions, up to 58'000 psi (4000 bar). We are certified by Parker Hannifin to assemble, test & repair UHP hoses in-house with a vast stock holding to support your requirements.

TOUGHJACKET™ hoses have a robust, yet flexible, blended Polyurethane cover extruded directly over the base hose during manufacturing. These hoses are not only sleeker than hoses with a PVC sleeve, they are more durable because the cover is engineered with a proprietary blend of polyurethane to act as an abrasion resistant shield.

TOUGHJacket assemblies are over 180 times more abrasion resistant than assemblies with a PVC sleeve.

### Integrated Abrasion Resistance



### Features

- Eliminates the need for PVC cover
- Smaller O.D. up to 25% compared to similar hose with PVC sleeve
- ColorGard™ allows for quick recognition of abrasion issues
- TOUGHJACKET Polyurethane cover for best abrasion resistance

### Fittings

Available fitting connections offered:

- Type "M" Female Swivel
- High Pressure Tube Nipple
- Medium Pressure Tube Nipples
- Metric Female Swivel
- NPT
- BSP

**Contact us for your hose assembly requirements.**



# Sewer Jet Hose

## Applications

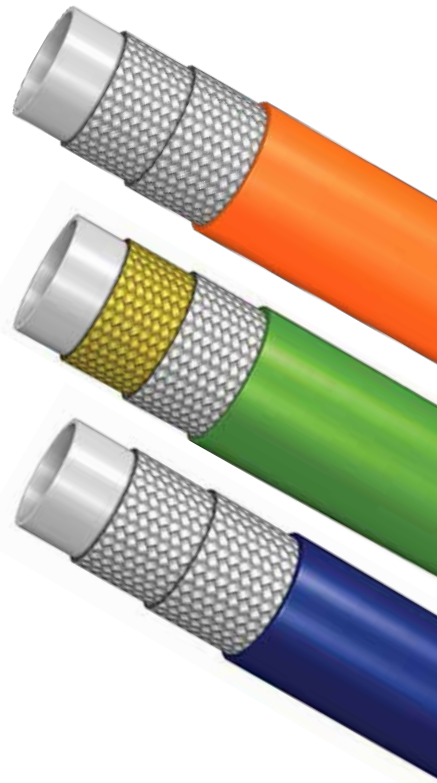
Compact Sewer cleaning vehicles and lateral sewer line equipments. High pressure capability combined with high safety factor, flexibility and small profile. Heavy duty construction for optimum cut and wear resistance with bonded construction to resist kinking.

Available in long lengths with a special cover, resistant to microbiological degradation light weight compared to conventional rubber alternatives and increased lifetime.

**Temperature range:** Continuous: -40°C to 60°C

## Construction

- Inner tube : Thermoplastic Elastomer
- Reinforcement : Synthetic fibre braiding
- Cover : Polyurethane
- Ends : Plated Steel as standard. Stainless Steel optional



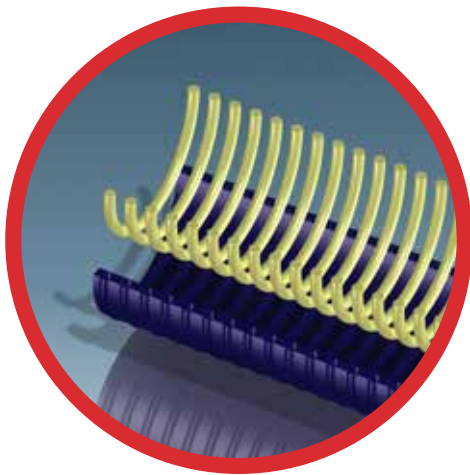
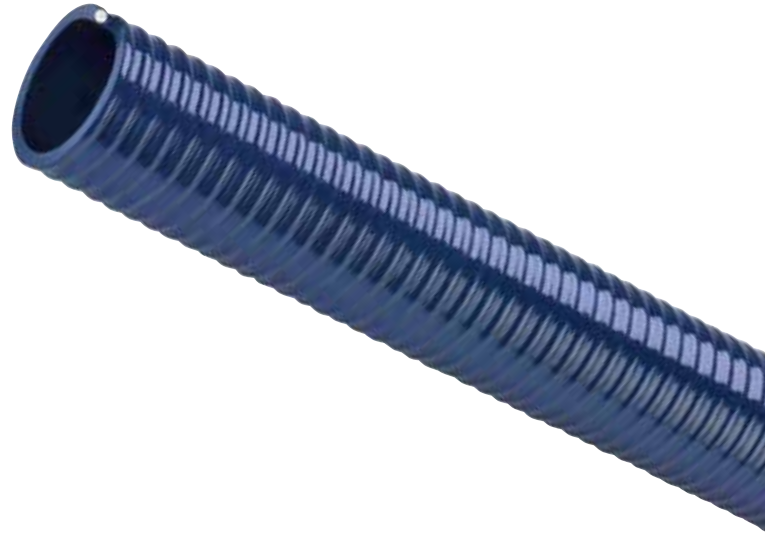
Part Number	Description	ID mm	OD mm	Working Pressure psi	Burst Pressure psi	Bend Radius mm	Weight g/m
14-PH303-06-500FT	HOSE, SEWER JET, 3/8" 4000PSI, 152MTR BSP M/F Ends, GREEN COVER	9.5	17.5	4000	12000	75	217
14-PH304-08-500FTRED	HOSE, SEWER JET, 1/2" 4000PSI, 152MTR BSP M/F Ends, RED COVER	12.7	20.4	4000	16240	100	256
14-PH305-12-500FTBL	HOSE, SEWER JET, 3/4" 2800PSI, 152MTR BSP M/F Ends, BLUE COVER	19	29.5	2800	7000	120	440
14-PH302-16-500FT	HOSE, SEWER JET, 1" 3000PSI, 152MTR BSP M/F Ends, BLUE COVER	25.4	37.3	3000	7500	160	759
14-PH302-20-500FT	HOSE, SEWER JET, 1-1/4" 3000PSI, 152MTR BSP M/F Ends, BLUE COVER	31.8	46.5	3000	7500	250	1159
Available in custom lengths with male or female BSP ends							
14-PH303-04	HOSE, SEWER JET, 1/4" 4000PSI GREEN COVER	6.4	13	4000	12000	40	124
14-PH303-06	HOSE, SEWER JET, 3/8" 4000PSI GREEN COVER	9.5	17.5	4000	12000	75	217

# Marte PVC Hose

## Blue Oil/Chemical Resistant S&D Hose

### General Applications

- For suction and delivery of water, mineral oil, lubricants and crude oils (fuel)
- Service temperature range: -10°C to +60°C



### Features & Benefits

- Hose in special antimigration PVC compound reinforced with an antishock rigid PVC spiral
- Resistant to abrasion, ageing, atmospheric agents and ozone
- Colour: Blue
- Type: PVC Suction - Oil/Chemical S&D Hose

Part Number	ID		Working Pressure		Burst Pressure		Min Bend Radius at (mm)	Vacuum Rating (mh <sub>2</sub> O)	Standard Length (m)	Weight (kg/m)
	(in)	(mm)	(psi)	(bar)	(psi)	(bar)				
28-4019	3/4	19	116	8	348	24	140	10	50	0.42
28-4025	1	25	116	8	348	24	170	10	50	0.55
28-4032	1-1/4	32	116	8	348	24	205	10	50	0.70
28-4038	1-1/2	38	102	7	305	21	235	10	50	0.81
28-4051	2	51	87	6	261	18	300	10	50	1.15
28-4064	2-1/2	64	87	6	261	18	370	10	50	1.69
28-4076	3	76	73	5	218	15	440	10	50	2.06
28-4102	4	102	58	4	174	12	600	9	30	3.37

# Tigertail Sanitation Hose

## Portable Loo Sewerage Suction Hose

### General Applications

- Suction of liquids in sanitary and sewer applications, also used in airport services

### Features and Benefits

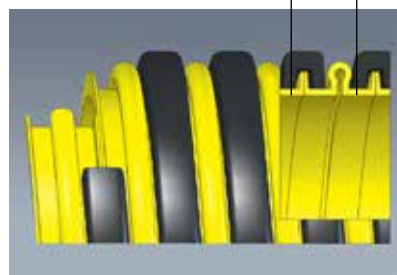
- All polyethylene construction (LDPE) makes the Tigertail hose corrosion resistant and extremely flexible, even at sub zero temperatures.
- Its strong profile construction offers a much longer durability with an incredibly low weight compared to rubber construction.
- Service temperature range: -40°C to +60°C
- Crushproof – Will spring back to original shape after being crushed; it will not kink
- Smooth Bore – Smooth interior wall increases pump efficiency and decreases the blocking risk
- Wear Resistant – Cap resists wear and deterioration even in really tough environments
- Leak Proof Cuffs (35-24051C)



### Construction

- Polyethylene, yellow-black, special colours upon request
- Single Length: 15 or 20m
- Crush recoverable, good chemical resistance, excellent vacuum resistance, rot-proved
- End finishing: Tight welded cuffs on both ends for long-lasting leak proofing (35-24051C)
- Single cuffs are also available for replacement

Hose Material      Cap Profile



Part Number	ID		Material Thickness	Min Bend Radius	Vacuum Rating (mh <sub>2</sub> O)
	(in)	(mm)	(mm)	(mm)	
35-24051 x 15m	2	51	1.4	85	9.5

- Other lengths available to order

# Tiger™ Amphibian™ Hose

## AMPH™ Heavy-Duty PU Lined Wet or Dry Material Handling Hose

### General Applications

- Slurry handling construction: PVC cover with polyurethane liner and rigid PVC helix
- Service temperature range: -40°C to +65°C\*
- Sewer truck boom hose
- Rock, gravel, sand and crushed concrete vacuuming
- Agricultural dry fertilisers
- Air seeder lines
- Fly ash collection
- Hydro excavation
- Industrial vacuum equipment
- Material handling – heavy-duty abrasive
- Milling machine scrap recovery
- Shot blast recovery



### Features & Benefits

- Thick Amphibian™ Abrasion Resistant Polyurethane Liner – Designed for wet or dry applications where severe abrasion is a factor. Provides longer hose life and lower operating costs versus rubber or PVC hoses
- Static Dissipative Cover – Specially formulated to help prevent the build-up of static electricity for added safety and to help keep material flowing smoothly
- “Cold-Flex” Materials – Hose remains flexible in sub-zero temperatures
- Convolute Cover Design – Provides increased hose flexibility
- Phthalate Free

Part Number	ID		OD		Working Pressure (psi)		Vacuum Rating (mh <sub>2</sub> O)		Min Bend Radius at 20°C (mm)	Standard Length (m)	Weight (kg/m)
	(in)	(mm)	(in)	(mm)	20°C	40°C	20°C	40°C			
28-AMPH125	5	127	5.75	146.0	36	18	9.6	8.6	381	30	3.60
28-AMPH152	6	152	6.81	173.0	30	15	9.6	8.6	457	6.1	5.21
28-AMPH203	8	203	9.18	233.2	30	15	9.6	8.6	559	18.3/6.1	8.80

**NOTE:** Service life may vary depending on operating conditions and type of material being conveyed.

\*Actual service temperature range is application dependent.

May be available in green or black.

# Tiger™ BARK™ Hose

Standard Duty PVC Material Handling Hose

## General Applications

- Construction: PVC tube with rigid PVC helix
- Service temperature range: -20°C to +65°C\*
- Lawn and leaf collection
- Material handling – standard duty
- Mulch, bark, wood chips and other surfacing material delivery
- Soil, seed and compost delivery



## Features and Benefits

- Abrasion Resistant PVC Tube – Formulated from highly durable PVC compounds for increased abrasion and tear resistance versus standard PVC hoses
- Convoluted Outer Cover – Provides increased hose flexibility and allows for easier unwinding and winding on hose reels
- Easy Slide Helix – Rigid helix design protects hose tube from cover wear, and allows hose to slide easily over rough surfaces
- Easy to handle
- Transparent Construction – “See-the-flow” allows for visual confirmation of material flow
- Phthalate Free

Part Number	ID		OD		Working Pressure (psi)		Vacuum Rating (mh <sub>2</sub> O)		Min Bend Radius at 20°C (mm)	Standard Length (m)	Weight (kg/m)
	(in)	(mm)	(in)	(mm)	20°C	40°C	20°C	40°C			
28-BARK102	4	102	4.45	113.0	18	11	5.2	3.5	254	30	1.41
28-BARK125	5	127	5.47	138.9	17	10	4.8	2.8	279	30	1.92

**NOTE:** Service life may vary depending on operating conditions and type of material being conveyed.  
 \*Actual service temperature range is application dependent.

# Camlocks

## Camlock Adaptor to FBSP (Type A)

Part Number	Size (mm)
54-01301_	13
54-01901_	19
54-02501_	25
54-03201_	32
54-03801_	38
54-05101_	51
54-06401_	64
54-07601_	76
54-10201_	102
54-12501_	125
54-15201_	152
54-20301_	203



## Camlock Coupling to MBSP (Type B)

Part Number	Size (mm)
54-01303_	13
54-01903_	19
54-02503_	25
54-03203_	32
54-03803_	38
54-05103_	51
54-06403_	64
54-07603_	76
54-10203_	102
54-12503_	125
54-15203_	152
54-20303_	203



## Camlock Coupling to Hose Tail (Type C)

Part Number	Size (mm)
54-01309_	13
54-01909_	19
54-02509_	25
54-03209_	32
54-03809_	38
54-05109_	51
54-06409_	64
54-07609_	76
54-10209_	102
54-12509_	125
54-15209_	152
54-20309_	203



## Camlock Coupling to FBSP (Type D)

Part Number	Size (mm)
54-01320_	13
54-01920_	19
54-02520_	25
54-03220_	32
54-03820_	38
54-05120_	51
54-06420_	64
54-07620_	76
54-10220_	102
54-12520_	125
54-15220_	152
54-20320_	203



## Camlock Adaptor to Hose Tail (Type E)

Part Number	Size (mm)
54-01322_	13
54-01922_	19
54-02522_	25
54-03222_	32
54-03822_	38
54-05122_	51
54-06422_	64
54-07622_	76
54-10222_	102
54-12522_	125
54-15222_	152
54-20322_	203



## Camlock Adaptor to MBSP (Type F)

Part Number	Size (mm)
54-01310_	13
54-01910_	19
54-02510_	25
54-03210_	32
54-03810_	38
54-05110_	51
54-06410_	64
54-07610_	76
54-10210_	102
54-12510_	125
54-15210_	152
54-20310_	203



## Camlock Dust Cap (Type DC)

Part Number	Size (mm)
54-01302_	13
54-01902_	19
54-02502_	25
54-03202_	32
54-03802_	38
54-05102_	51
54-06402_	64
54-07602_	76
54-10202_	102
54-12502_	125
54-15202_	152
54-20302_	203



## Camlock Dust Plug (Type DP)

Part Number	Size (mm)
54-01308_	13
54-01908_	19
54-02508_	25
54-03208_	32
54-03808_	38
54-05108_	51
54-06408_	64
54-07608_	76
54-10208_	102
54-12508_	125
54-15208_	152
54-20308_	203



## Camlock Pressure Ratings

Material	Size (mm)	WP (psi)	Material	Size (mm)	WP (psi)
AL, BZ, SS	20-50	250	PP	20-25	125
	65	150		32-50	100
	80	125		80	75
	100	100		100	50
	125-150	75			

**NOTE:** Available in Aluminium (AL), Bronze (BZ), Stainless Steel (SS), Polypropylene (PP), Hastelloy (HS)  
 Pressure Ratings: Recommendations are based on the use of camlocks at ambient temperatures with Nitrile seals

# Camlocks and Couplings

## Camlock Reducer



Part Number	Description	Size (in)	Size (mm)
54-076D-051A	Female 3" to 2" Male Reducer	3-2	76-51
54-102D-076A	Female 4" to 3" Male Reducer	4-3	102-76
54-152D-102A	Female 6" to 4" Male Reducer	6-4	152-102

## Flanged Camlock



Part Number	Description	Size (in)	Size (mm)
54-102FA	Male 4" to Flange ASA150	4	102
54-152FA	Male 6" to Flange ASA150	6	152

## Male Travis Coupling



Part Number	Size	
	(in)	(mm)
57-5102MH	4	102
57-5152MH	6	152
57-5203MH	8	203

## Female Travis Coupling



Part Number	Size	
	(in)	(mm)
57-5102FH	4	102
57-5152FH	6	152
57-5203FH	8	203

## Rubber Gasket for Male Coupling



Part Number	Size	
	(in)	(mm)
57-5102MRG	4	102
57-5152MRG	6	152

## Rubber Gasket for Female Coupling



Part Number	Size	
	(in)	(mm)
57-5102FRG	4	102
57-5152FRG	6	152
57-5203FRG	8	203

## Sealing Clamp



Part Number	Size	
	(in)	(mm)
57-5102C	4	102
57-5152C	6	152
57-5203C	8	203

## Male Ball with Hosetail



Part Number	Size	
	(in)	(mm)
57-3076HB	3	76
57-3102HB	4	102
57-3152HB	6	152
57-3203HB	8	203

## Female Socket with Hosetail



Part Number	Size	
	(in)	(mm)
57-3076HS	3	76
57-3102HS	4	102
57-3152HS	6	152
57-3203HS	8	203

## Lever Closure Ring



Part Number	Size	
	(in)	(mm)
57-3076C	3	76
57-3102C	4	102
57-3152C	6	152
57-3203C	8	203

## O-Ring



Part Number	Size	
	(in)	(mm)
57-3076R	3	76
57-3102R	4	102
57-3152R	6	152
57-3203R	8	203

## Male Ball with BSP Thread



Part Number	Size	
	(in)	(mm)
57-3076B	3	76
57-3102B	4	102
57-3152B	6	152
57-3203B	8	203

## Female Socket with BSP Thread



Part Number	Size	
	(in)	(mm)
57-3076S	3	76
57-3102S	4	102
57-3152S	6	152
57-3203S	8	203

## Complete Set Bauer Type Coupling



Part Number	Size	
	(in)	(mm)
57-3076SET*KIT*	3	76
57-3102SET*KIT*	4	102
57-3152SET*KIT*	6	152
57-3203SET*KIT*	8	203

# Mikalor Heavy-Duty Clamps

## W1 T-Bolt Clamps

### Features and Benefits

- W1 zinc plated steel clamps, also available in stainless steel
- The high-strength bolt, together with the captive nut and spacer system, allow you to clamp the most demanding of hose assemblies
- Outstanding and reliable heavy-duty clamp
- Clamp of choice for professionals in the industrial hose, automotive and agricultural machinery sectors as well as in all industrial applications



Part Number	Size (mm)	Bolt Thread	Max Torque (Nm)
75-MIK1019	17-19	M5	4.5
75-MIK1022	20-22	M5	4.5
75-MIK1025	23-25	M5	4.5
75-MIK1028	26-28	M5	4.5
75-MIK1031	29-31	M6	8
75MIK1035	32-35	M6	8
75-MIK1037	34-37	M6	8
75MIK1039	36-39	M6	8
75-MIK1043	40-43	M6	8
75-MIK1047	44-47	M7	16
75-MIK1051	48-51	M7	16
75-MIK1055	52-55	M7	16
75-MIK1059	56-59	M7	16
75-MIK1063	60-63	M7	16
75-MIK1067	64-67	M7	16
75-MIK1073	68-73	M8	25
75-MIK1079	74-79	M8	25
75-MIK1085	80-85	M8	25
75-MIK1091	86-91	M8	25
75-MIK1097	92-97	M8	25
75-MIK1103	98-103	M8	25
75-MIK1112	104-112	M8	25
75-MIK1121	113-121	M8	25
75-MIK1130	122-130	M8	25
75-MIK1139	131-139	M10	50
75-MIK1148	140-148	M10	50
75-MIK1161	149-161	M10	50
67653-3M313K1174	162-174	M10	50
75-MIK1187	175-187	M10	50
75-MIK1200	188-200	M10	50
75-MIK1213	201-213	M10	50
75-MIK1226	214-226	M10	50
75-MIK1239	227-239	M10	50
75-MIK1252	240-252	M10	50



# Clamps and Banding

## Rigid PVC Banding Coils



### Features and Benefits

- Grey non-food grade, rigid PVC coils
- For hoses with a high-profile, clockwise helix
- Fills the convolutions for clamping purposes
- Prevents over-bending at the coupling end
- Specifically for TR1™ and similar hose

Part Number	ID	
	(in)	(mm)
80-KBDCL038	1-1/2	38
80-KBDCL051/064	2 to 2-1/2	51 to 64
80-KBDCL076	3	76
80-KBDCL102	4	102
80-KBDCL127	5	127
80-KBDCL152	6	152
80-KBDCL203	8	203

## Band-It Bands

Part Number	Description
70-C203Y	Bandit Strapping 30m Roll - 10mm
70-C204B	Bandit Strapping 30m Roll - 13mm
70-C205G	Bandit Strapping 30m Roll - 16mm
70-C206R	Bandit Strapping 30m Roll - 19mm

## Band-It Buckles

Part Number	Width (mm)	Box Qty
70-C253	10	100
70-C254	13	100
70-C255	16	100
70-C256	19	100



## Spiral Double Bolt Clamps



### Features and Benefits

- Zinc-plated carbon steel
- For hoses with a high-profile, clockwise helix
- Specifically for TR1™ and similar hose
- Spiral design fits the convolutions for better sealing and retention without requiring banding coils
- Two or more clamps are suggested for 3" ID and larger hoses
- Both hex nuts should be tightened equally to prevent leakage
- Caution: proper evaluation of holding power for each clamp must be determined for each individual application

Part Number	ID		Weight		Torque (Nm)
	(in)	(mm)	(lbs)	(kg)	
80-PSDBCR51	2	51	0.36	0.16	6
80-PLC064	2-1/2	64	0.54	0.24	7
80-PSDBCR76	3	76	0.66	0.30	8
80-PSDBCR102	4	102	1.02	0.46	24
80-PLC127	5	127	1.76	0.80	24
80-PSDBCR152	6	152	2.00	0.91	30
80-PSDBCR203	8	203	2.76	1.25	30

## Band-It Tool



70-C001

- Tensioning capability of over 1,088kg with a built-in cutter. The Band-It tool is used to apply Band-It bands and buckles, strapping and free-end clamps.
- Pre-formed clamps also available on request

# Valves

## Lever Gate Valves



- BSPP threaded inlet and outlet
- Available with flanged inlet

Part Number	Description
65-5051LH	Brass Gate Valve with Lever Handle 51mm
65-5064LH	Brass Gate Valve with Lever Handle 64mm
65-5076LH	Brass Gate Valve with Lever Handle 76mm
65-5102LH	Brass Gate Valve with Lever Handle 102mm
65-5152LH	Brass Gate Valve with Lever Handle 152mm
65-5076LHFLG	Brass Gate Valve BSP Flanged Lever Handle 76mm
65-5102LHFLG	Brass Gate Valve BSP Flanged Lever Handle 102mm

## Stainless Steel Ball Valves



- SS316, BSPP threaded

Part Number	ID	
	(in)	(mm)
65-130512	2	51
65-130762	3	76
65-131022	4	102

## Level Indicators with Steel Weld-On Ring



Part Number	Size (NB)		Material	Height Overall (mm)
	(in)	(mm)		
65-ART400-050	2	50	Plastic	54
65-ART400-080	3	80	Plastic	85
65-ART410-100	4	100	Glass	126

## Vacuum Relief Valve



Part Number	Size (NB)		Setting Range		Height mm
	(in)	(mm)	psi	bar	
65-ART810-050	1-1/2	38	-4.3 to -11.6	-0.3 to -0.8	113

## Lever Handle Brass Ball Valves



- F&F Nickel Plated Brass Ball Valve full port BSPP thread
- PN25 pressure rating

Part Number	ID	
	(in)	(mm)
65-1006	1/4	6
65-1010	3/8	10
65-1013	1/2	13
65-1019	3/4	19
65-1025	1	25
65-1032	1-1/4	32
65-1038	1-1/2	38
65-1051	2	51
65-1065	2-1/2	65
65-1076	3	76
65-1102	4	102

## Knife Gate Valves



- Cast iron gate valve with stainless steel knife, with discharge
- Double acting pneumatic actuator fitted

Part Number	Size (NB)		Height		Weight
	(in)	(mm)	h	H	
65-KNGV102	4	102	565	565	10.97
65-KNGV152	6	152	463	712	20.30
65-KNGV203	8	203	557	853	26.87

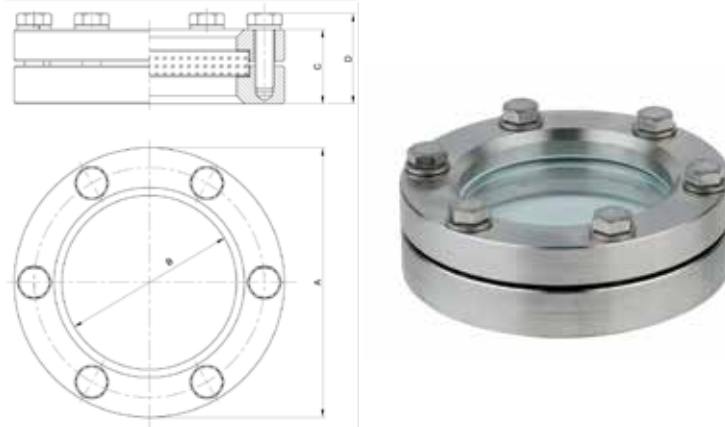
## Safety Pressure Relief Valve



Part Number	Size (NB)		Setting Range		Height mm
	(in)	(mm)	psi	bar	
65-ART860-050	2	50	4 to 22	0.3 to 1.5	195
65-ART870-050	2	50	4 to 22	0.3 to 1.5	195

# Gauges

## Porthole Level Indicators



- Tempered glass
- Also available to order in Stainless Steel

Part Number	Size (mm)				Weight Kg
	A	B	C	D	
65-ART419-100	170	110	47	57	4.75

## Pressure Gauges



- Liquid filled
- Stainless steel and brass construction
- Dual scale faces

Part Number	Size (NB) Face Size	Pressure Range psi	Vacuum Range Hg	Mount
95-WG7035AIP	63	0-15		Lower
95-WG7045AIP	63	0-30		Lower
95-WG7060AIP	63	0-60		Lower
95-WG7075AIP	63	0-100		Lower
95-WG7090AIP	63	0-160		Lower
95-WG7105AIP	63	0-230		Lower
95-WG7120AIP	63	0-300		Lower
95-WG7135AIP	63	0-600		Lower
95-WG7150AIP	63	0-1000		Lower
95-WG7150AIP	63	0-3000		Lower
95-WG7200AIP	63	0-5000		Lower
95-WG7095AIP	63	0-160		Back
95-WG7000AIP	63		0-30	Lower
95-WG5995AIP	50	0-160		Lower
95-WG6000AIP	50	0-160		Back



## SITE SERVICES

We offer a complete onsite service as a total product management package.

Our technicians can repair existing hose assemblies or supply new assemblies with one of our mobile fabrication units offering:

- Nationwide service
- Fit for purpose hose-assemblies
- Increased Safety
- Site welding & fabrication
- Testing & certification
- Product repairs & replacements
- Turn key installations



## HOSE FABRICATION

Industry leading solutions in all aspects of specialist hose fabrication.

From industrial rubber hose, stainless steel hose to PVC and ultra pressure water jetting hose, we can offer a solution for almost any application.

We also offer a complete design and custom built hose assembly service.



## REPAIRS, TESTING & CERTIFICATION

Complete hose testing and certification service to meet strict and specific industry requirements including:

- Hydrostatic testing
- Nitrogen testing
- Vacuum testing
- Destructive testing
- Failure analysis

Pick up and return service for testing and repairs.

Contact us to discuss your specific requirements.



## EXARO™ HOSE MANAGEMENT

Our industry leading EXARO™ online hose management system will help you maximise the life expectancy of your hose assets.

We focus on preventative maintenance to reduce the risk of downtime and increase operator safety.

Auckland	1 Vestey Drive, Mt Wellington, Auckland
Hamilton	40 Killarney Road, Frankton, Hamilton
Mt Maunganui	14 Newton Street, Mt Maunganui
Wellington	148 Hutt Road, Petone
Nelson	70 Pascoe Street, Annesbrook, Nelson
Christchurch	19 Lodestar Avenue, Wigram, Christchurch
Dunedin	8 Strathallan Street, Dunedin

09 636 5902
07 847 7889
07 575 5697
04 560 3701
03 547 0531
03 348 8755
03 455 7657

auckland@motionfluid.co.nz
hamilton@motionfluid.co.nz
mtmaunganui@motionfluid.co.nz
wellington@motionfluid.co.nz
nelson@motionfluid.co.nz
christchurch@motionfluid.co.nz
dunedin@motionfluid.co.nz

**0800 4 HOSES**  
**motionfluid.co.nz**

# MOTION